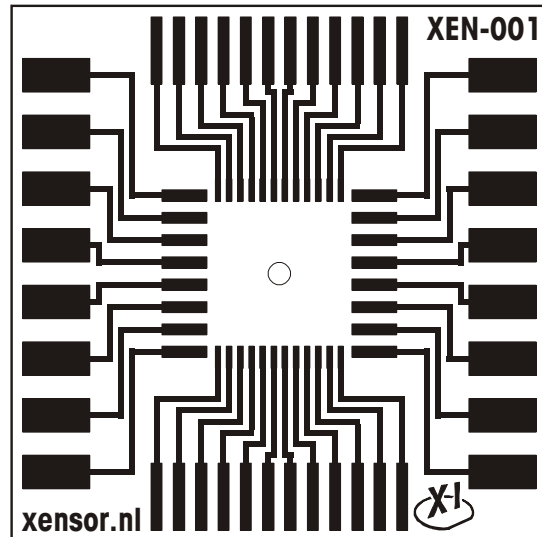


Features

- Ceramic housings for chips/sensors.
- Dimensions:
 - 150 x 9 mm²
 - 72 x 12 mm²
 - 24 x 24 mm²
 - 24 x 12 mm²
 - 24 x 6 mm²
- Thickness: 0.63 mm.
- Gold layers.
- Pitch of pads: 2.54 mm or 1.0 mm.



Applications

Mounting of Xensor Integration[®] sensors and other sensors and chips.

Description

code	dimensions	specifics	remarks
XEN-40001	24 x 24 mm ²	round hole in middle, Ø 1 mm	-
XEN-40003	150 x 9 mm ²	stick	-
XEN-40005	24 x 24 mm ²	rectangular hole, 6.0 x 7.5 mm ²	12 pads left and right
XEN-40008	24 x 24 mm ²	rectangular hole, 6.0 x 7.5 mm ²	8 pads left and right
XEN-40011	24 x 24 mm ²	rectangular hole, 6.0 x 4.0 mm ²	-
XEN-40012	72 x 12 mm ²	rectangular hole, 2.3 x 4.1 mm ²	-
XEN-40013	72 x 12 mm ²	rectangular hole, 1.5 x 2.0 mm ²	-
XEN-40014	24 x 12 mm ²	rectangular hole, 1.5 x 2.0 mm ²	-
XEN-40015	24 x 6 mm ²	-	-

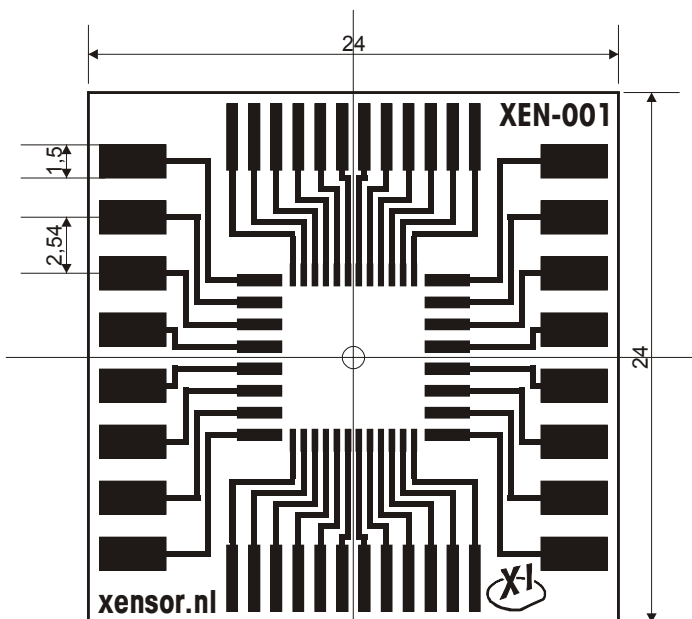
Flexcon

For connection of the ceramic housings a flex connector (Flexcon) is available.



Dimension: 40 x 13 mm²
Number of wires : 12
Pitch: 1 mm

XEN-40001



24 x 24 mm², round hole in middle, Ø 1 mm

Xensor Integration bv

Distributieweg 28
2645 EJ Delfgauw
The Netherlands

Phone +31 (0)15-2578040
Fax +31 (0)15-2578050
Email info@xensor.nl

Founded 18 May 1988

Trade reg. 27227437

Site www.xensor.nl

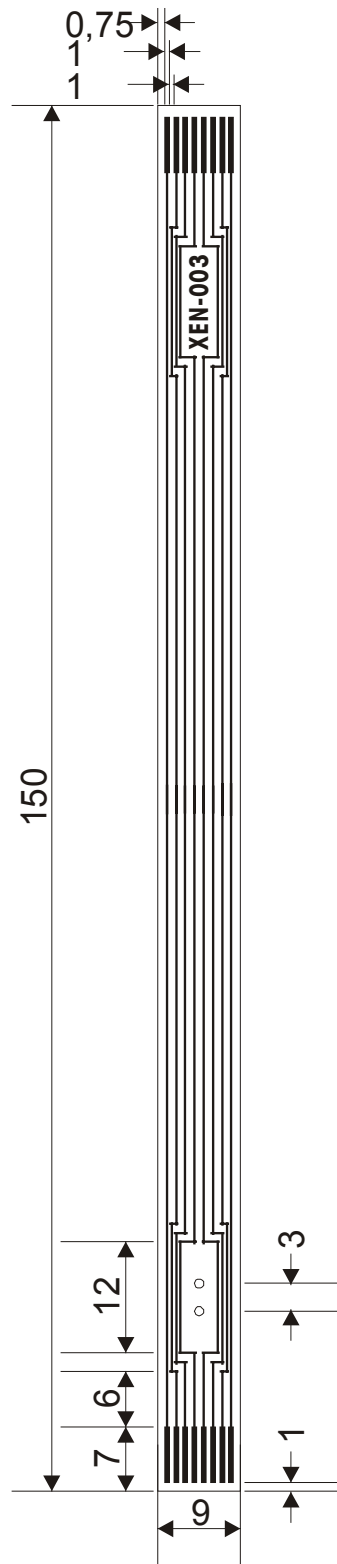
Smart Sensor Devices

ABN-AMRO 60 50 40 311

IBAN NL42ABNA0605040311

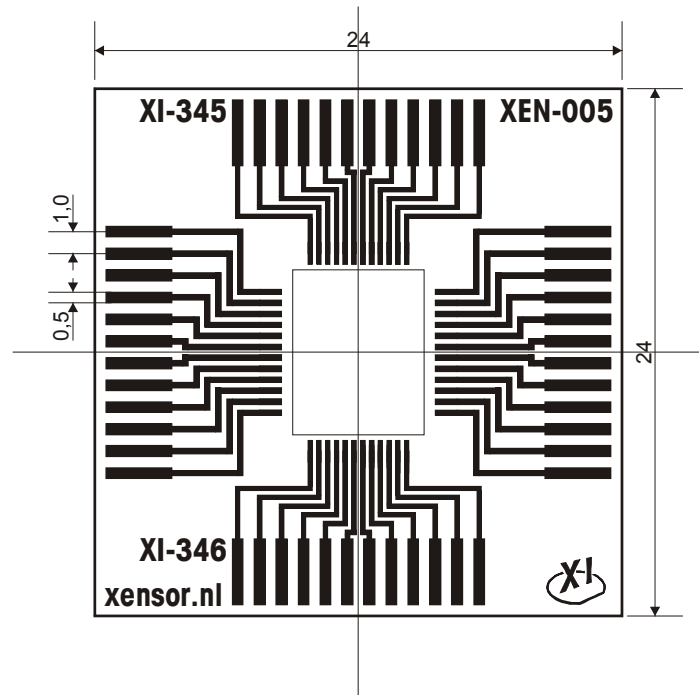
VAT NL 009122746 B01

XEN-40003



150 x 9 mm², stick

XEN-40005



24 x 24 mm², rectangular hole, 6.0 x 7.5 mm²,
12 pads left and right

Xensor Integration bv

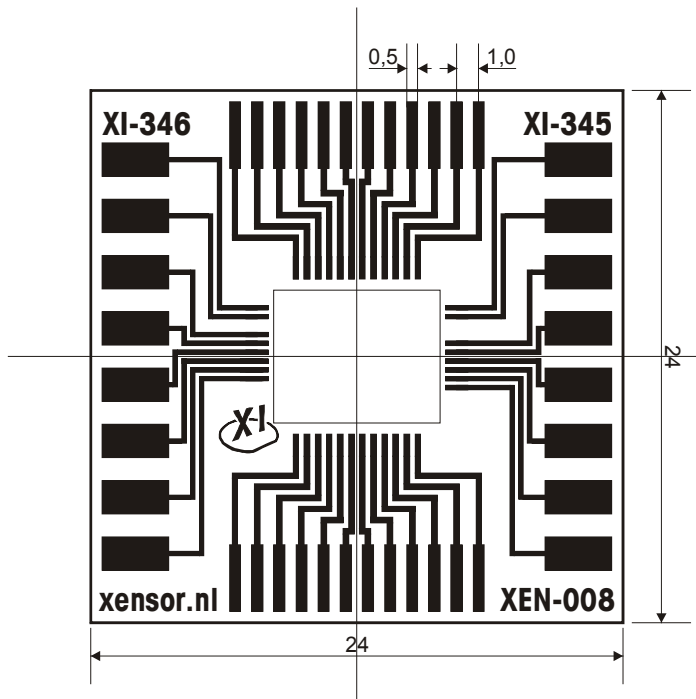
Distributieweg 28
2645 EJ Delfgauw
The Netherlands

Phone +31 (0)15-2578040 Founded 18 May 1988
Fax +31 (0)15-2578050 Trade reg. 27227437
Email info@xensor.nl Site www.xensor.nl

Smart Sensor Devices

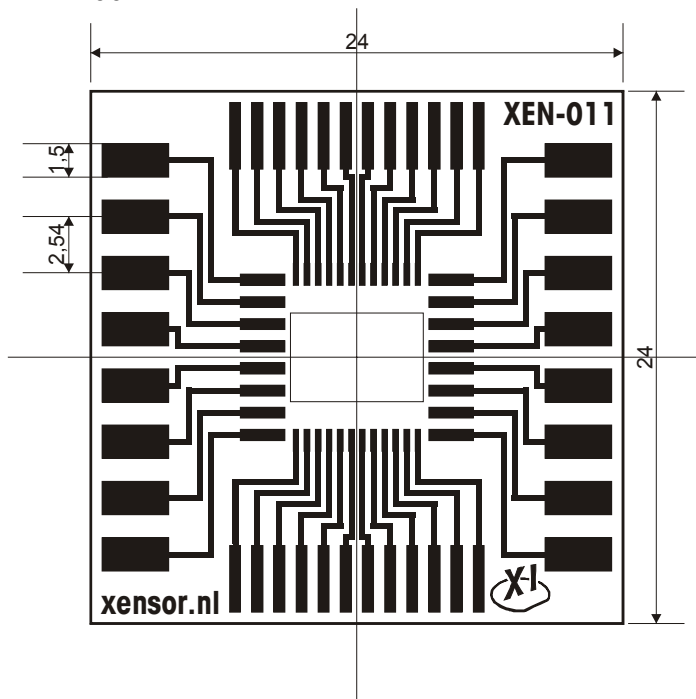
ABN-AMRO 60 50 40 311
IBAN NL42ABNA0605040311
VAT NL 009122746 B01

XEN-40008



24 x 24 mm², rectangular hole, 6.0 x 7.5 mm², 8 pads left and right

XEN-40011



24 x 24 mm², rectangular hole, 6.0 x 4.0 mm²

Xensor Integration bv

Distributieweg 28
2645 EJ Delfgauw
The Netherlands

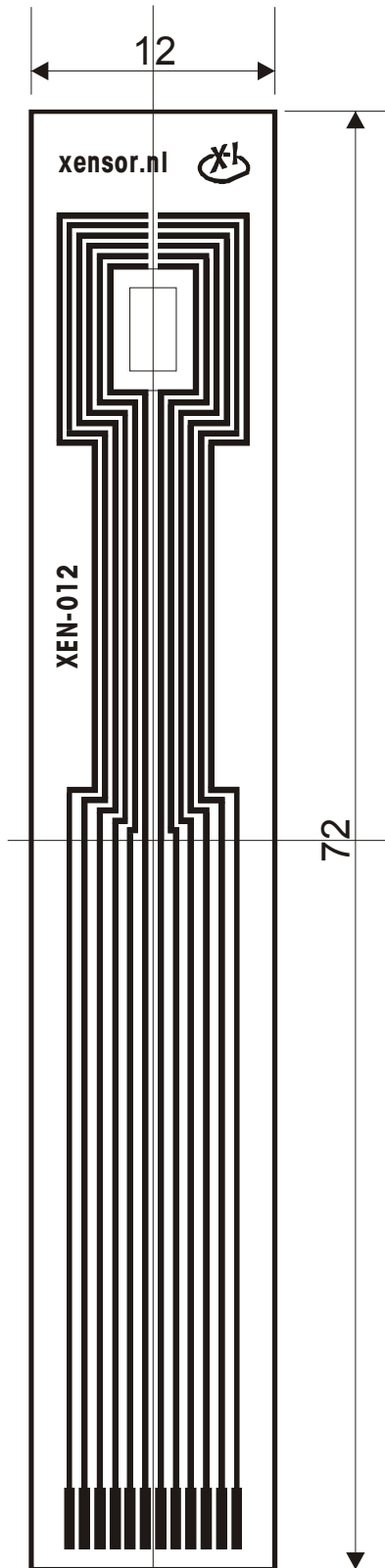
Phone +31 (0)15-2578040
Fax +31 (0)15-2578050
Email info@xensor.nl

Founded 18 May 1988
Trade reg. 27227437
Site www.xensor.nl

Smart Sensor Devices

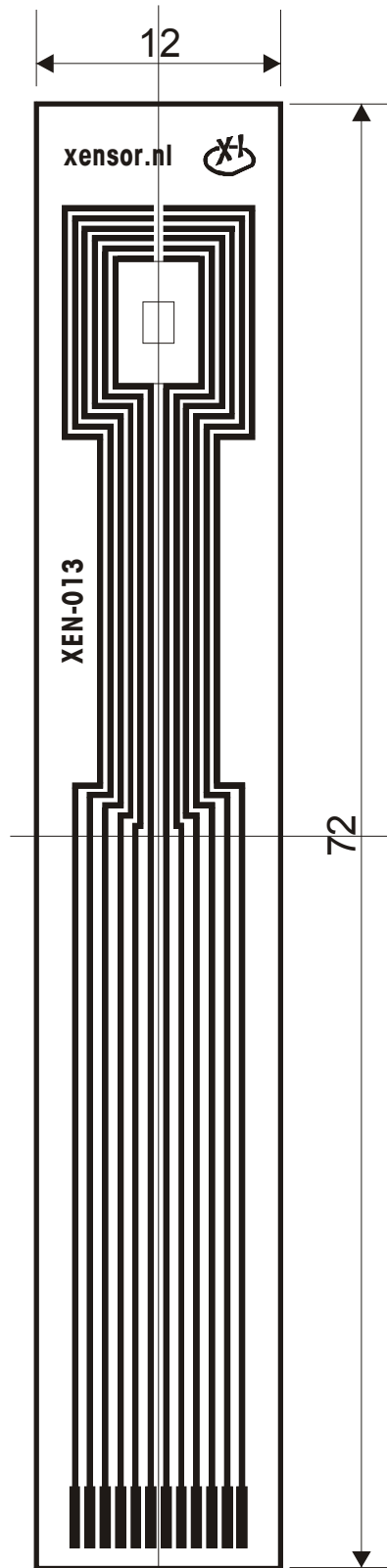
ABN-AMRO 60 50 40 311
IBAN NL42ABNA0605040311
VAT NL 009122746 B01

XEN-40012



72 x 12 mm², rectangular hole, 2.3 x 4.1 mm²

XEN-40013



72 x 12 mm², rectangular hole, 1.5 x 2.0 mm²

Xensor Integration bv

Distributieweg 28
2645 EJ Delfgauw
The Netherlands

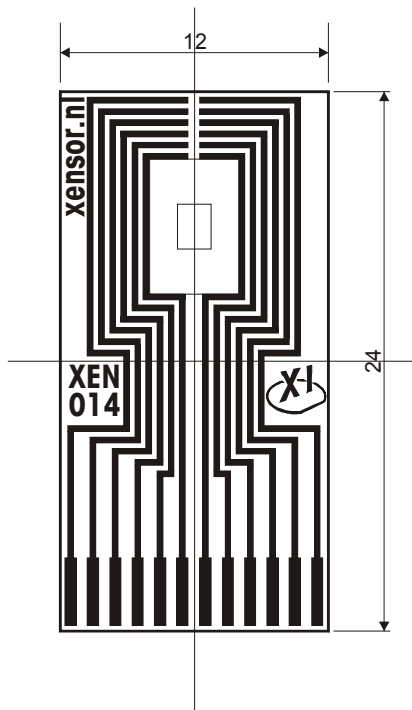
Phone +31 (0)15-2578040
Fax +31 (0)15-2578050
Email info@xensor.nl

Founded 18 May 1988
Trade reg. 27227437
Site www.xensor.nl

Smart Sensor Devices

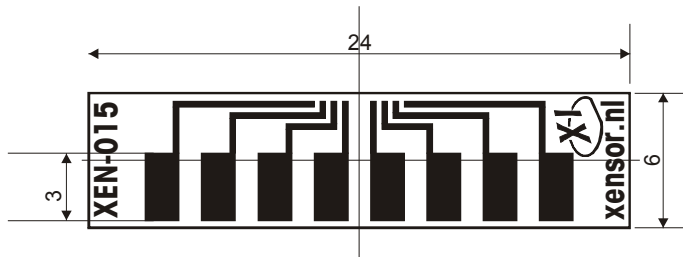
ABN-AMRO 60 50 40 311
IBAN NL42ABNA0605040311
VAT NL 009122746 B01

XEN-40014



24 x 12 mm², rectangular hole, 1.5 x 2.0 mm²

XEN-40015



24 x 6 mm²

Conditions: Use of sensors for industrial applications is subjected to patent rights. Xensor Integration assumes no liability arising from violation of these rights

Warranty: Xensor Integration warrants its products against defects in materials and workmanship for 12 months from date of shipment. Products not subject to misuse will be replaced or repaired. The foregoing is in lieu of all other expressed or implied warranties. Xensor Integration reserves the right to make changes to any product herein and assumes no liability arising out of the application or use of any product or circuit described or referenced herein.

Xensor Integration bv

Distributieweg 28
2645 EJ Delfgauw
The Netherlands

Phone +31 (0)15-2578040
Fax +31 (0)15-2578050
Email info@xensor.nl

Founded 18 May 1988
Trade reg. 27227437
Site www.xensor.nl

Smart Sensor Devices

ABN-AMRO 60 50 40 311
IBAN NL42ABNA0605040311
VAT NL 009122746 B01